

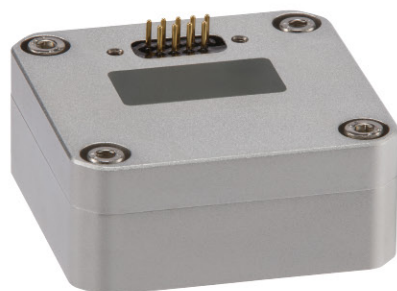


### Building Block Type



# Single Axis Fiber Optic Gyroscope for stabilization and positioning FG 150

FG 150 is a single axis fiber optic gyroscope which is required for stabilization and accurate positioning in a wide of applications such as antenna, aircraft camera, armoured vehicles, AGV, etc. FG 150 offers high quality performance in terms of bias repeatability and scale factor.



### Applications

- Armoured Vehicle
- Aircraft Camera
- Auto Guided Vehicle (AGV)
- AHRS Integration

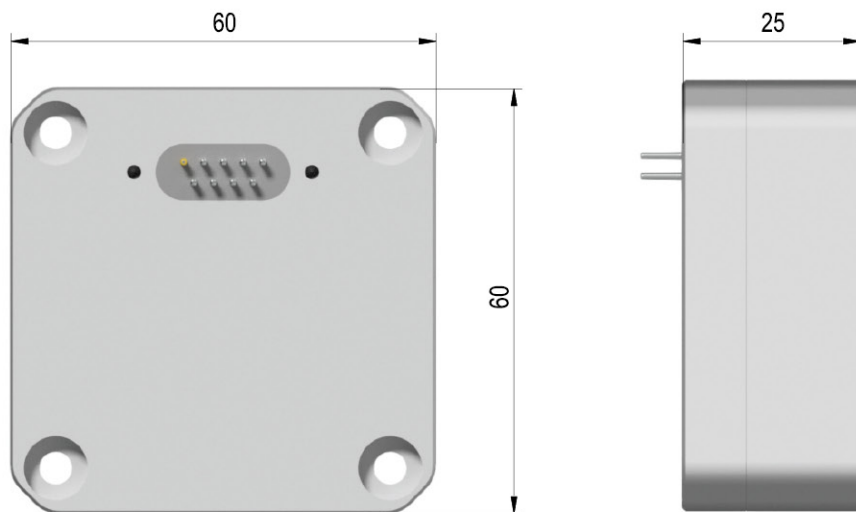
# Specifications

<b>Performance</b>	
<b>Rate Sensor</b>	
Measurement Range	Up to 1,000 °/sec
Bias Repeatability	< 1°/hr (-40°C to +71°C)
Scale Factor Accuracy	< 1,000 ppm
Angle Random Walk	< 0.05 °/√hr
<b>Electrical/Mechanical</b>	
Operating Voltage	+ 5 V
Power Consumption	3.5 W
Signal Input / Output	RS-422 UART
Data Rate	Up to 2 kHz
Dimensions (W x D x H)	60 mm x 60 mm x 25 mm (without connector)
Weight	160 g
<b>Environment</b>	
Shock	50 g, 11 msec
Vibration	7.7 grms, 20 ~ 2 kHz

The specification and technical information contained herein are subject to change without notice and are furnished without charge or obligation. They are given and accepted at recipients sole risks.

## Case Dimensions

(Unit : mm)



**FIBERPRO Headquarters**  
**FIBERPRO USA**  
**FIBERPRO CHINA**  
[www.fiberpro.com](http://www.fiberpro.com)

Tel : +82-42-360-0030  
 Tel : +1-408-835-7796  
 Tel : +86-27-8663-5497  
[sales@fiberpro.com](mailto:sales@fiberpro.com)

Fax : +82-42-360-0050  
 Fax : +1-408-521-0402  
 Fax : +86-27-8663-5701